



Digital Linear Gauge

GS-1513A/1530A (10 μ m resolution)
GS-1613A/1630A (1 μ m resolution)

Introducing compact and lightweight digital linear gauges that are easily installed in current production equipment. With a dust-proof and splash-proof structure that conforms to protection class IP64, the gauges can withstand harsh environments. Suitable for use in dusty environments and areas subject to drips and splashes. Endurance testing shows all models may be used beyond 5 million strokes. We have achieved high accuracy without sacrificing durability.

ONO SOKKI

Optimal for work in production lines

Dust and splash resistant

New standard of linear gauge sensors

Compact

High accuracy

Low price

More than 5 million strokes

Environment resistance IP64

Features

- ▶ All models are dust and splash resistant conforming to the protection class IP64 of environmental resistance
- ▶ Automated measurement is possible by attaching the optional air lifter.
- ▶ Compatible with all of our gauge displays
- ▶ Can be connected to a sequencer using 2-phase pulse output signal.

Compatible digital displays

DG-1270 RS-232C output



DG-4120 BCD output



DG-4240 Comparator output



DG-4280 Comparator output



Specifications

● Mechanical specifications

Item	GS-1513A	GS-1530A	GS-1613A	GS-1630A
Measurement range (mm)	13	30	13	30
Resolution (μm)	10	10	1	1
Accuracy (μm) (+20°C)	3	3	2	3
Maximum spindle velocity (m/s)	1	1	0.3	0.3
Measurement force (N)※1	1.5	2.0	1.5	2.0
Number of strokes (under the prescribed conditions)	5 million or more			
Protection class	IP64			

※1 Consult us if you would like to modify the measurement force.

● Electrical specifications

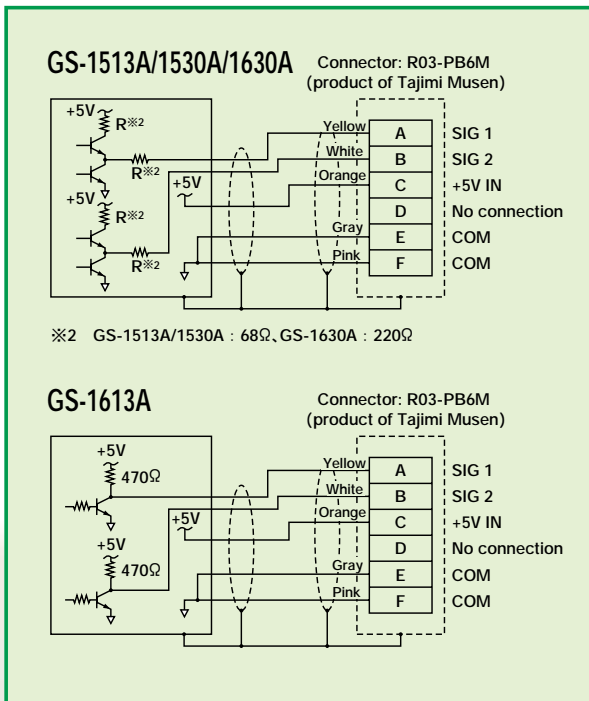
Item	GS-1513A	GS-1530A	GS-1613A	GS-1630A
Power supply	4.5-6.0V DC			
Power consumption	50 mA or less (5 V DC)		100 mA or less (5 V DC)	
Signal output	Two phase rectangular wave Phase difference: $90^\circ \pm 20^\circ$ at 5 V DC Output voltage: HI=4.5 to 6.0 V, LO=0.4 V or less			
Output impedance	Approx. 140Ω		Approx. 470Ω	Approx. 440Ω

● General specifications

Operating temperature range	0°C to +40°C			
Storage temperature range	-10°C to +55°C (average year-round humidity: 75% or below) ※With no condensation			
Cable length	Approx. 1.9 m			
Cable extension	Up to 30 m (optional)			
Weight	GS-1513A/1613A: approx. 220 g; GS-1530A/1630A: approx. 260 g			

Output specifications

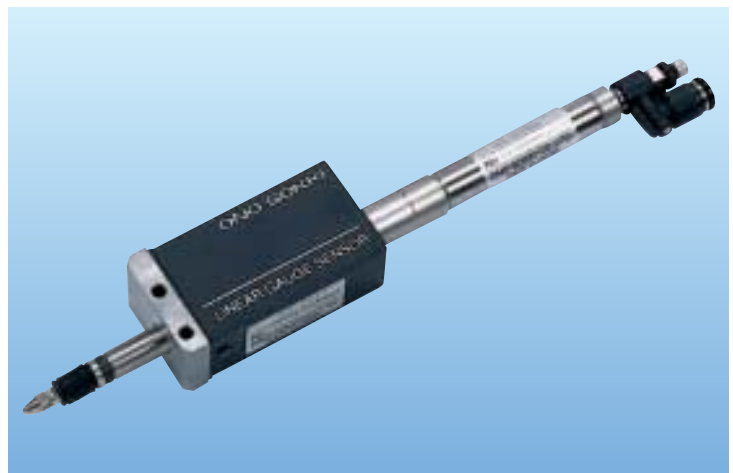
Pin arrangement of output connector and output circuit



Air lifter (Option)

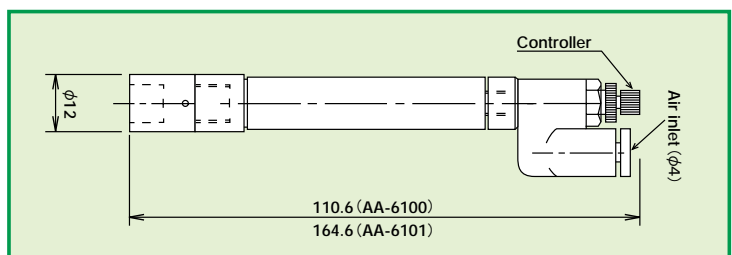
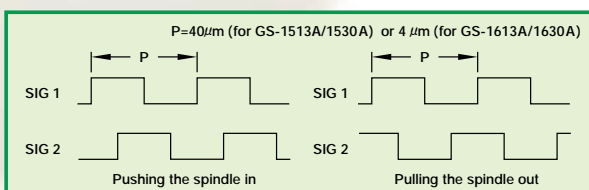
Model No.	Applicable linear gauges	Measurement range (mm)	Air pressure (MPa)	Weight* (g)
AA-6100	GS-1513A/1613A	0~13	0.25~0.7	40
AA-6101	GS-1530A/1630A	0~30	0.25~0.7	50

※ include speed controller



※ The spindle can be operated when air is running

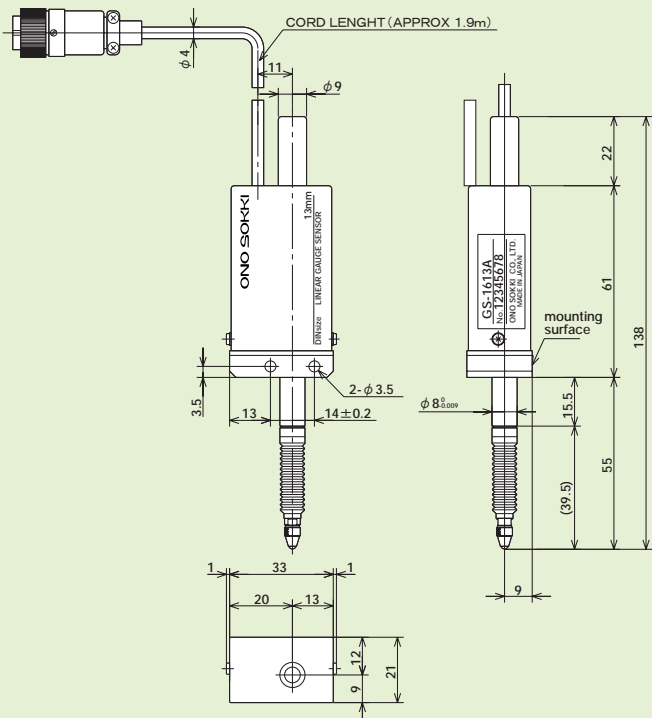
Output signal



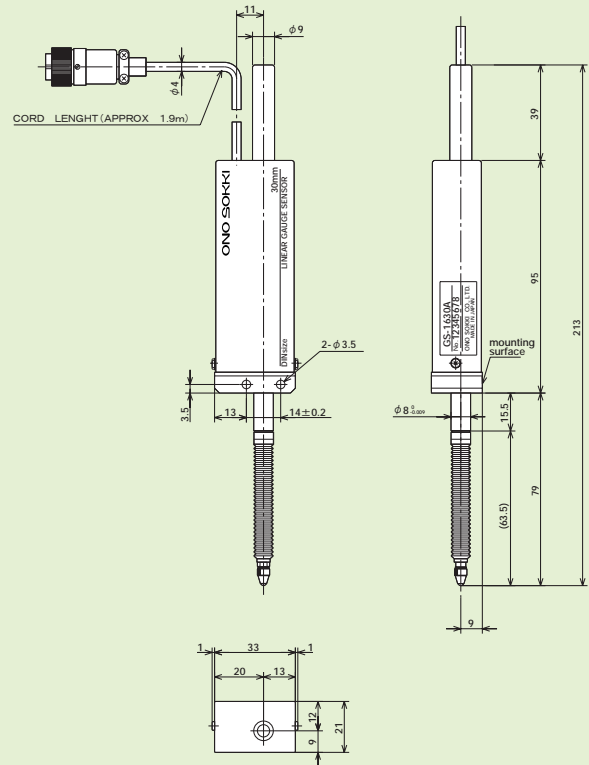
※ Air piping is provided by the customer

Outer Dimensions

GS-1513A/1613A



GS-1530A/1630A

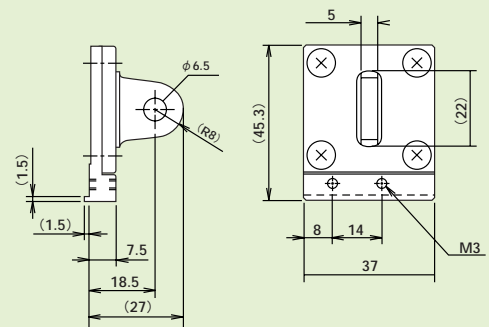


Options (sold separately)

Air lifter	AA-6100 (13mm), AA-6101 (30mm)
Finger lifter	AA-969
Gauge stand	ST-011/022/044B (Using ST-044B requires AA-891 bushing, sold separately)
Spare dust bellow	AA-4100 (13mm), AA-4101 (30mm)
Lug Back	AA-3300
Extension cable	AA-801 (5m), AA-802 (10m), AA-803 (20m), AA-804 (30m)

We also offer several other accessories not listed in this catalogue. Contact Ono Sokki for details.

AA-3300



ONOSOKKI

U.S.A. & CANADA
Ono Sokki Technology Inc.
2171 Executive Drive, Suite 400
Addison, IL. 60101, U.S.A.
Phone : 630-627-9700
Fax : 630-627-0004
Home page : <http://www.onosokki.net>
E-mail : info@onosokki.net

EUROPE
Ono Sokki Mess-und
Kontrollsysteme GmbH
Im Vogelsang 1, D-71101 Schoenaich
Germany
Phone : 07031-630203
Fax : 07031-654249

P.R.CHINA
Ono Sokki Beijing Office
Beijing Jing Guang Center 3510
Hu Jia Lou, Chao Yang Qu
Beijing P.R.C. 100020
Phone : 010-6597-3113
Fax : 010-6597-3114

WORLDWIDE
Ono Sokki Co., Ltd.
1-16-1 Hakusan, Midori-ku,
Yokohama 226-8507, Japan
Phone : 045-935-3976
Fax : 045-930-1906
E-mail : overseas@onosokki.co.jp

* Outer appearance and specifications are subject to change without prior notice.
HOME PAGE: <http://www.onosokki.co.jp/English/english.htm>